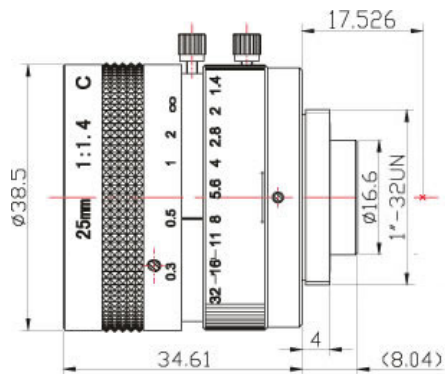




## SPECIFICATIONS

Resolution:	150lp/mm (5MP)	
Format :	2/3"	
Mount :	C	
Focal Length:	25mm	
F/No :	F1.4~F32	
Back Focus :	9.97mm	
Iris Type :	Manual Iris	
Horizontal Angle :	2/3"	19.96°
	1/2"	14.59°
	1/3"	10.97°
	1/4"	8.24°
Distortion :	<-0.1%	
Focusing Range:	∞ ~ 0.15m	
Design Wavelength:	400nm~950nm	
Filter Thread :	M35.5x0.5	
Dimension :	∅ 38.5 x 34.61mm	
Weight :	110g	

## Dimension



MTF Curves

